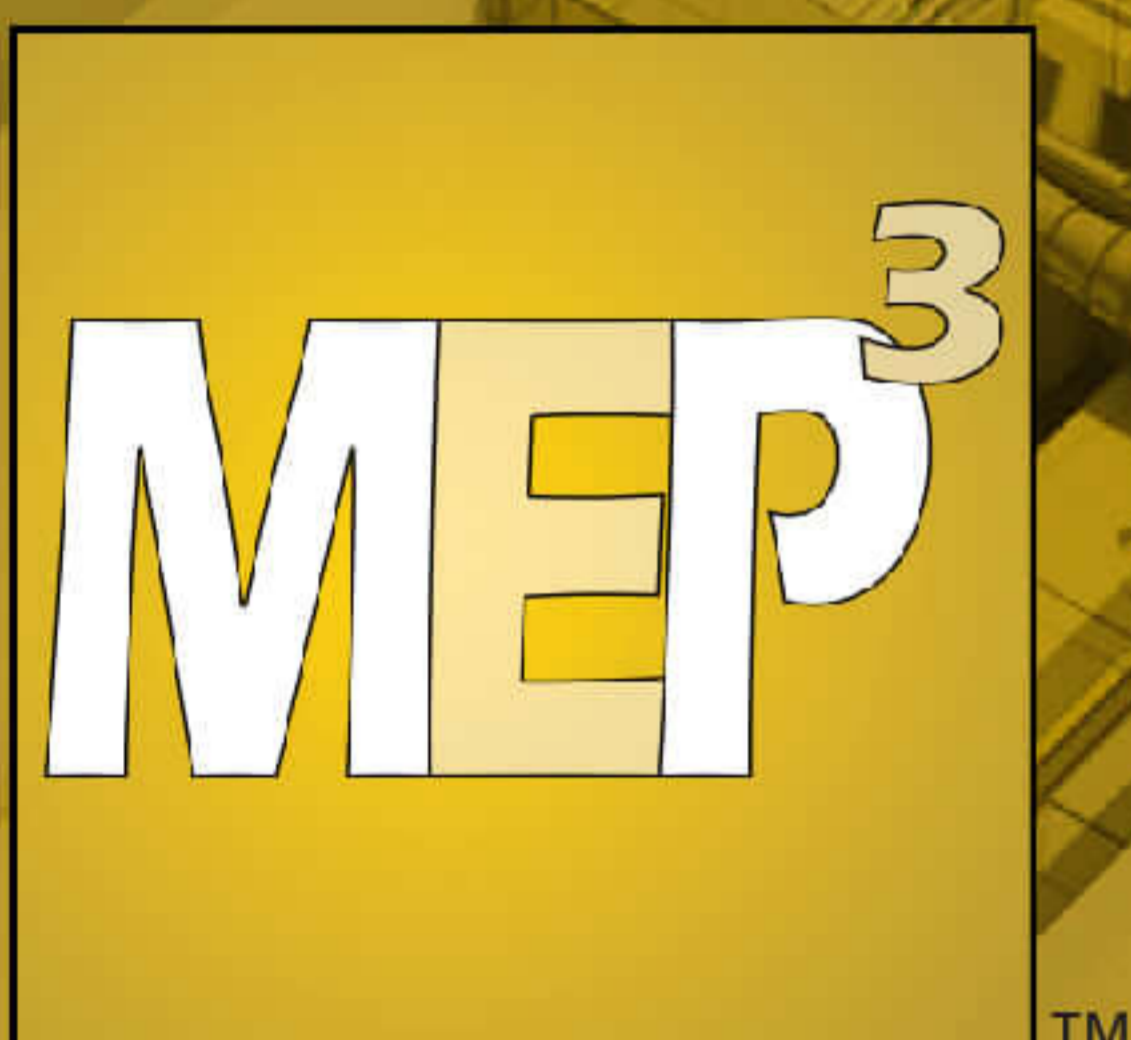


MEP

Productivity Pack™



CTC SOFTWARE™
DESIGN SOLUTIONS



MEPPP content created **BY** engineers **FOR** engineers

Keeping up with CTC Software's long-standing tradition of quality tools on the cutting edge of AEC design technology, we are proud to announce the MEPPP. MEP in Revit® can prove to be a challenge to implement for any firm, especially when the firm is multidiscipline. The MEPPP is a Revit starter project that combines the best of the existing MPP and EPP into one starter project

where engineering data can be easily shared amongst disciplines. But we didn't stop there! This is a new Revit user experience where all content, views, parameters and schedules are matched and balanced, combined with work-flows that take the user all the way from project setup to construction documents, so using Revit for MEP design simply works.

"The MEPPP revolutionizes how projects are designed and documents are produced."

- **Ed Studniski**, PE, LEED AP O+M – President, Gausman & Moore

MEP Productivity Pack

"Hosted, un-hosted, recessed, semi-recessed, surface mounted and pendant light fixtures all in a single easy-to-use Revit family."
-Daniel John Stine, AIA, CSI, CDT - BIM Admin, LHB

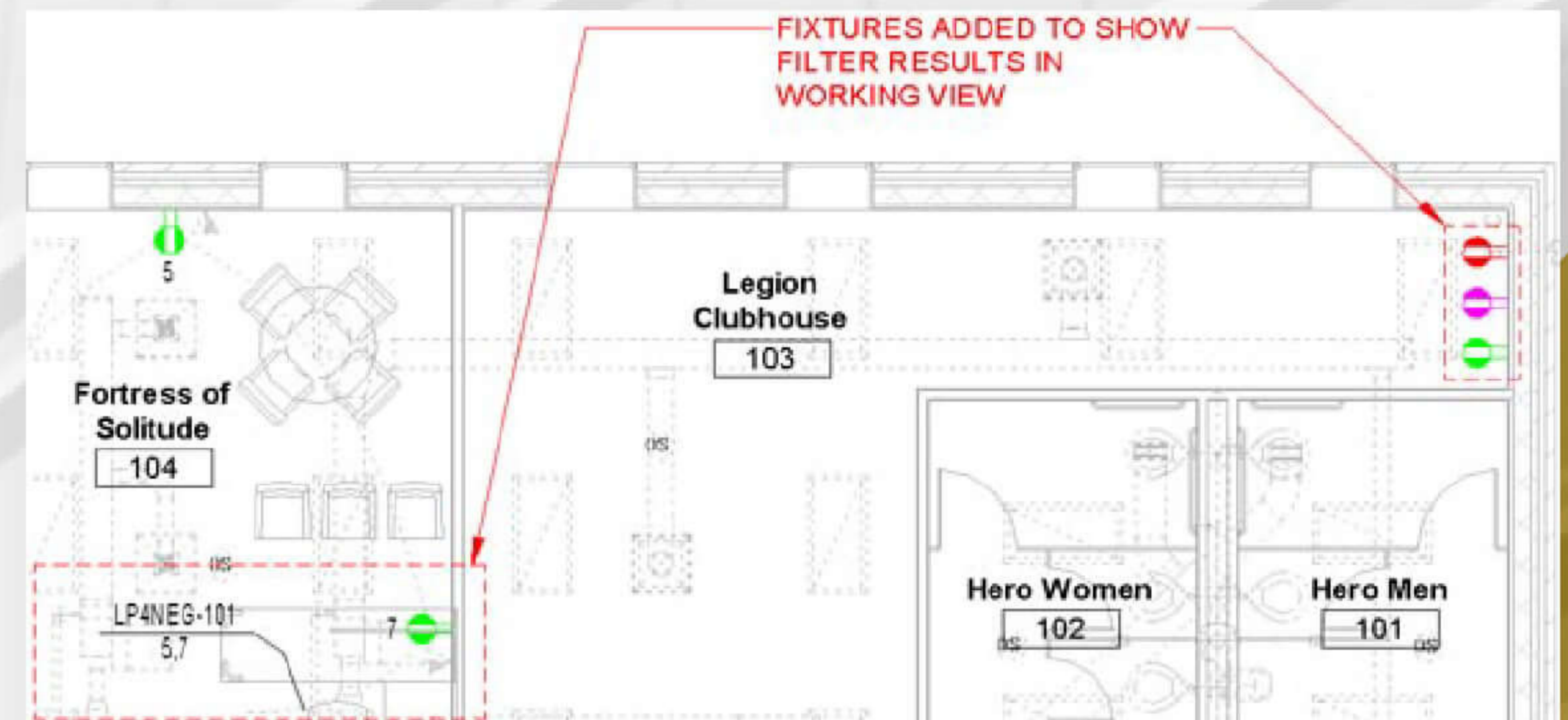


Electrical Content

- Comprehensive family content
- Smart motor family automatically calls MOCP loads
- Parametric electrical one-line diagrams & feeder schedules in Revit
- 350+ electrical families, over 200 symbols
- Panel schedules
- Electrical settings

Mechanical Content

- 350+ mechanical families based on manufacturer content
- All family content is fully integrated with extensive schedules and tags
- 55 unique duct and pipe systems with 24 improved and additional duct and pipe types
- Cross-discipline coordination with electrical and piping using industry standard formulas
- Built-in design assist calculations for added efficiency
- Extensive content library for mechanical equipment



Mechanical Electrical Plumbing Productivity Pack Overview

- Project setup time is decreased by utilizing comprehensive project organization
- Automatically detects when elements are mistakenly placed on the wrong workset
- Hosted families have been converted to un-hosted
- 50 view templates for all view types, including schedules and 100 predefined view filters
- All family content is fully integrated with extensive schedules & tags
- Over 225 mechanical details with all Revit linework and annotations
- User manual includes links to over 7.5 hrs of instructional videos
- Built-in formulas to calculate MOCP, FLA, KVA, & more (with overrides provided for each)
- Parametric electrical one-line diagrams and feeder schedules in Revit
- 350+ electrical families with over 200 symbols
- Electrical clearance areas based on NEC guidelines

MEP

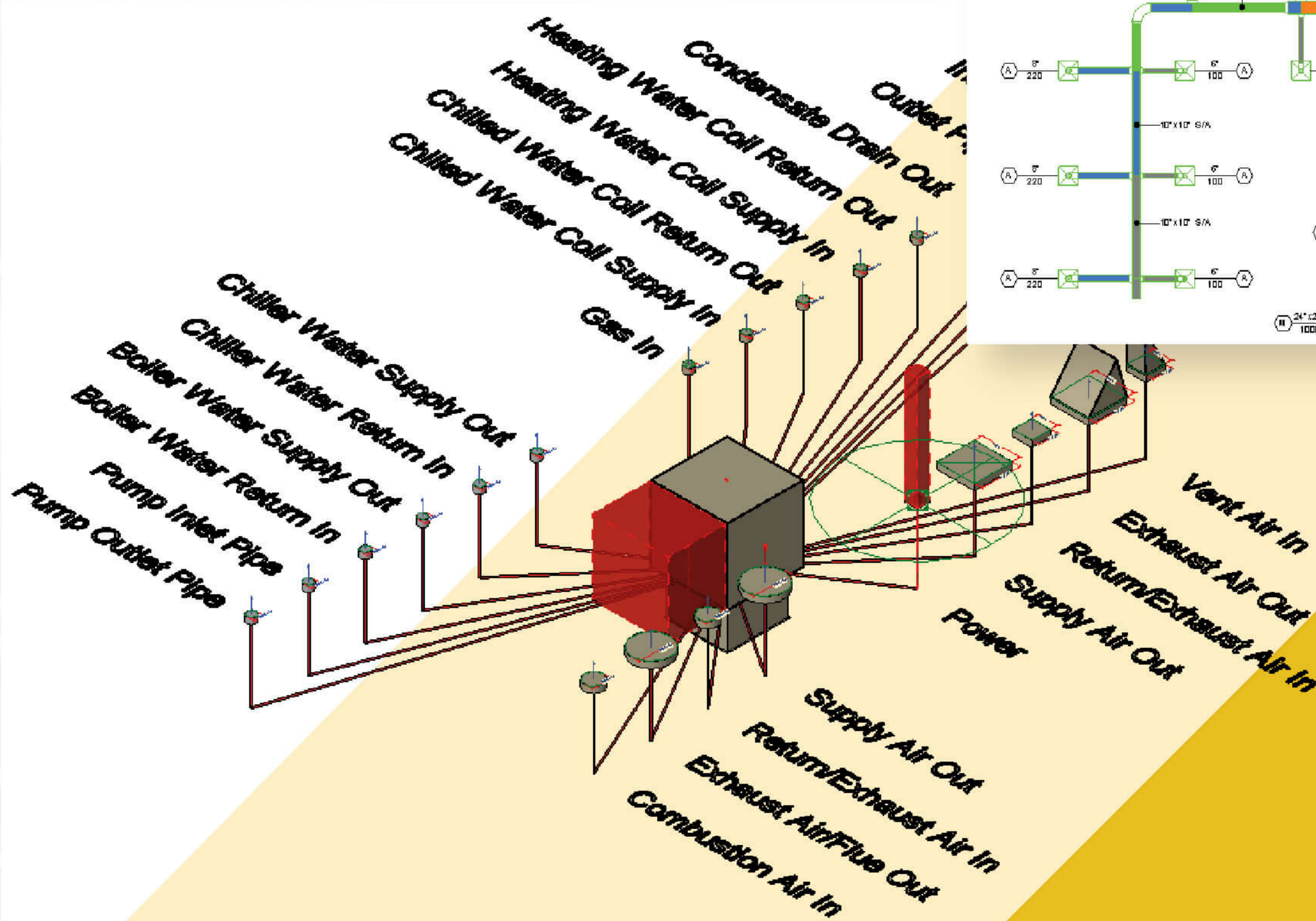
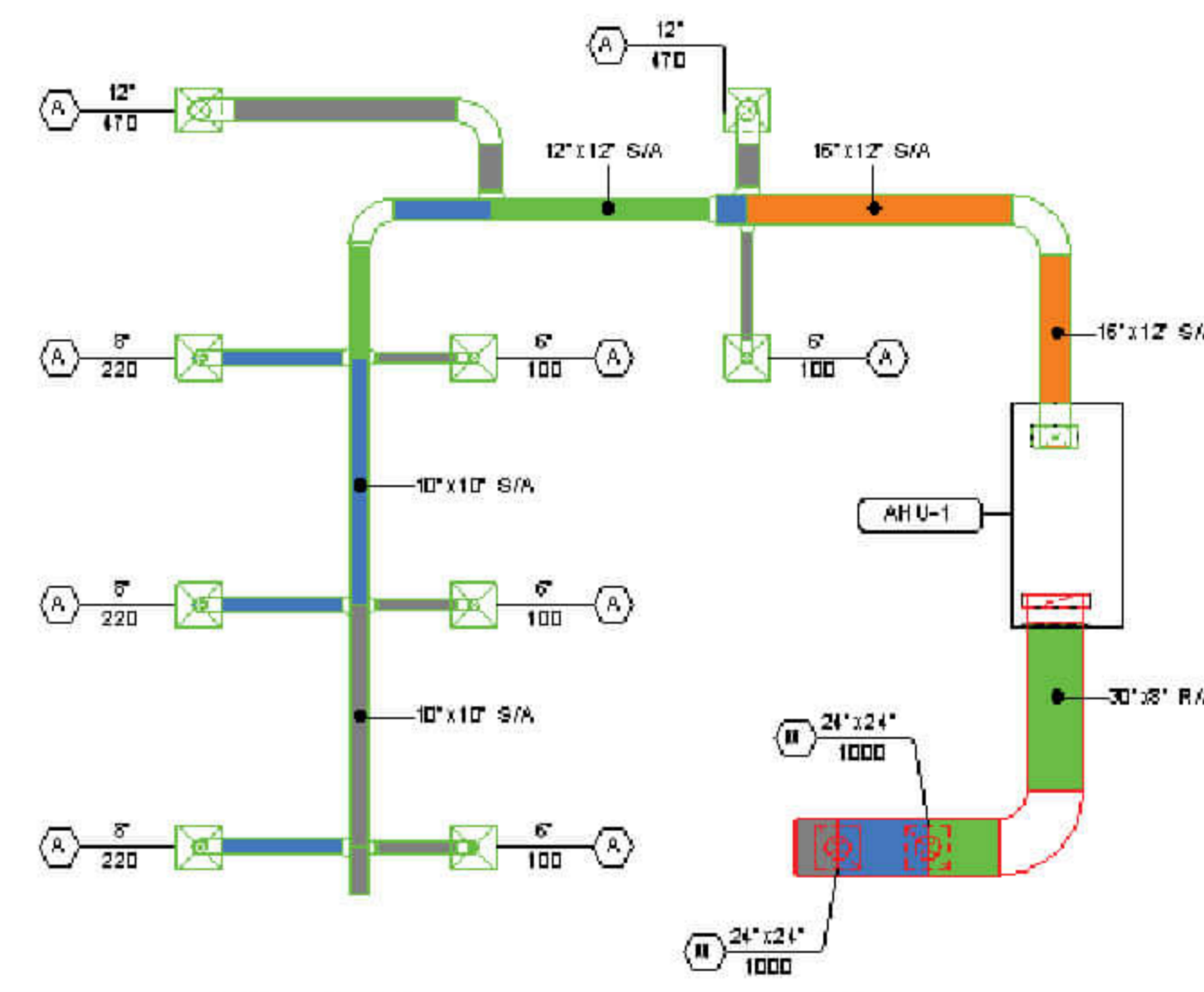
Productivity Pack

"I am benefiting greatly from MEPPP at my new position!"
 - LeAnn Sawatzky, AKF Group LLC



Plumbing and Piping Content

- Grouped families providing significant reduction in modeling time for plumbing layouts
- Groups have been expanded & now include attached detail groups
- Expanded content library for plumbing fixtures & drains
- Complete line of kitchen plumbing fixtures included
- Design assists scheduling to improve productivity
- Family content created to propagate CFH in gas piping systems



MEP

Productivity Pack



CTC SOFTWARE™
DESIGN SOLUTIONS

www.ctcsoftware.com

📍 8101 34th Ave South, Suite 300
Bloomington MN, 55425 USA

☎ 952.222.0000 (USA)

✉ info@ctcsoftware.com

🐦 @CTCBIM

MEP Productivity Pack™ and MEPPP™ are trademarks of CTC Software in the USA and other countries. © 2020 CTC Software.
All other brand names, product names or trademarks belong to their respective holders.